

## Operation instructions for the aquastarlight wire suspension system

The wire suspension system provides a neat and simple method of ceiling mounting **aquastarlight** other suitable luminaires.

contents:

The suspension system comprises 2 of each of the following:

- 2 metre stainless steel wire with ferrule
- Ceiling plate c/w retaining bush
- Luminaire attachment c/w plastic washer
- screws and plugs

Mounting:

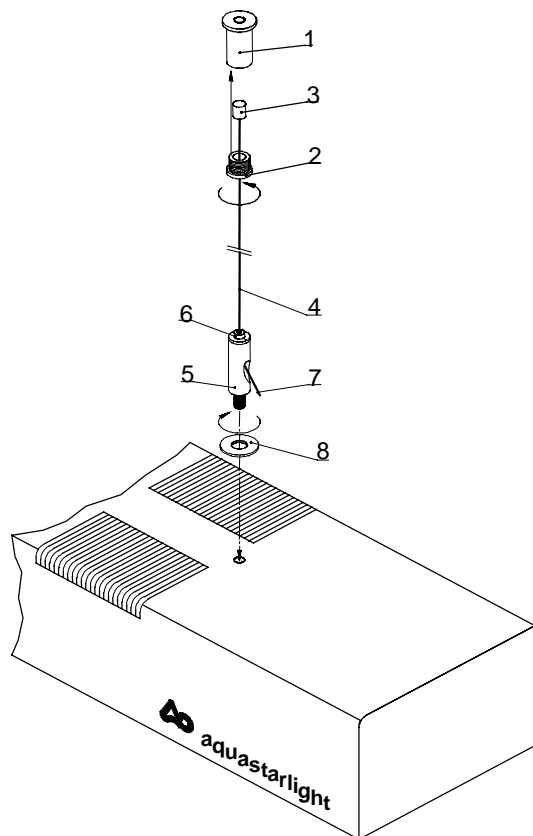
The ceiling plate (1) must be securely screwed to the ceiling. Suitable screws and plugs are provided but you should ensure your ceiling is capable of holding the weight of the luminaire in this way. It may be necessary to use specialised cavity plasterboard fixings or to screw through into blocks you have fitted behind the ceiling. The suspension points are 14 cm from each end of the **aquastarlight**. The distance between suspension point centers is therefore:

- single lamp ( 60 cm total length) : 32 cm
  - twin lamp ( 120 cm total length) : 92 cm
  - triple lamp (180 cm total length): 158 cm
- single lamp for aquarium Percula (87,5 cm total length) : 59,5 cm

The stainless steel wire (4) is now fed through the retaining bush (2) of the ceiling plate (1), so that the ferrule (3) is retained inside the ceiling plate. The retaining bush is screwed onto the ceiling plate allowing the stainless steel wire to hang free.

The protective plugs in the back of the **aquastarlight** are removed and the luminaire attachments (5) are screwed in, ensuring, that the plastic washer (8) is placed between the **aquastarlight** and the luminaire attachment. The end of the stainless steel wire (7) is fed through the luminaire attachment from the top, via the non return cap (6). It is drawn through the side opening and the luminaire is adjusted to the correct height from the aquarium ( minimum 30 cm above the water level). When the luminaire is mounted in the correct position, any surplus wire may be cut off with pliers.

To remove the luminaire, or re-adjust the height, the non return mechanism is released by pushing down on the top cap (6) of the luminaire attachment. CAUTION. Ensure the luminaire is adequately supported. The stainless steel wire can now be removed from the luminaire attachments.



- |                         |                         |
|-------------------------|-------------------------|
| 1. Ceiling plate        | 2. Retaining bush       |
| 3. Ferrule              | 4. Stainless steel wire |
| 5. Luminaire attachment | 6. Top cap              |
| 7. End of the wire.     | 8. Plastic washer       |